



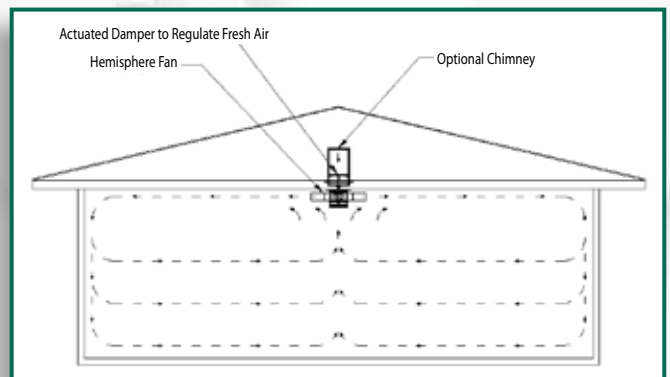
Improve Your Winter Ventilation!

Control the Wind™ with the VAL-CO® Hemisphere® Mixing Fan

Note: Protective cage removed to show product.

- VAL-CO proprietary technology developed for whole house air mixing.
- Two sizes, 48" and 72" diameters, cover a wide range of applications.
- Ideal for **layer pullet, layer, and floor bird** applications.
- VAL-CO's innovative design dramatically reduces temperature variations in the facility by moving a large volume of air with minimal drafts.
 - Growers report **down to 2** degrees of temperature difference throughout layer and pullet houses.
 - Growers report **more than 10%** improvement in manure belt moisture removal.
 - Growers report **more than 1/2 LB/100** improved feed conversion.
- Large diameter rotors (48" & 72") and slower rotation promotes quiet operation that does not disturb birds.
- **Controls circulation** through the entire building volume with minimal dead spots, improving heat distribution considerably.
- Optional **dampened** air inlet introduces air from attic or outside.
 - Controls fresh air inlet volume.
 - Provides a method to mix the warmest air in the house with fresh outside air before contacting the birds; significantly reducing drafts and cold zones during minimum ventilation.
 - Can eliminate the need for other inlets during initial stages of minimum ventilation.
 - **House winter air exchange required determined by moisture and CO2 requirements.**
- Exhaust fan efficiency improves and electrical load reduced due to very low static pressure operation.
- Robust design and materials ensure years of trouble free operation.
- Precision machined hub keeps rotor turning true.
- Optional VFD controls for variable speed operation available. (Ideal for pullets.)
- System can be interfaced with existing whole house controls.

This diagram shows the airflow pattern of this proprietary technology.



Performance You Can Count On

Chimney Kits and VFD Controls



VFD Controls for variable speed operation

Item No.	Description
Chimney Kits	
812245	24" Chimney Kit, for Attic
812265	24" Chimney Kit, w/ Dome, Bird Netting & Flashing
812365	36" Chimney Kit, for Attic
812385	36" Chimney Kit, w/ Dome, Bird Netting & Flashing
VFD Controls	
921185	2HP VFD Panel; 200-230V, 1PH/3PH, 50/60Hz
921184	5HP VFD Panel; 230V, 1PH/3PH, 60Hz
921186	10HP VFD Panel; 230V, 3PH, 60Hz
921187	10HP VFD Panel; 380-480V, 3PH, 60Hz



Chimney

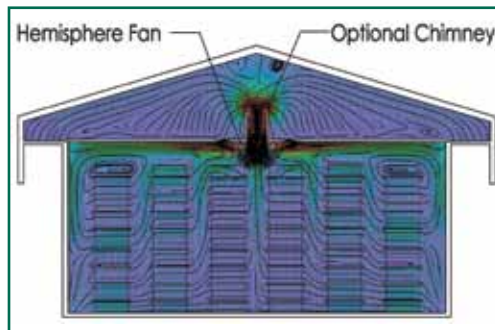
Hemisphere Fan Models

Item Number / Description	CFM (est.)	HP	Frequency (Hz)	Phase	Voltage	Weight (lbs.)	VFD Controllable
972140 48" Std. Capacity, w/ Wire Guard	23,000	1.0	60	1	115/230	300	N
972420 48" High Capacity, w/ Wire Guard	32,000	1.5	60	1	115/ 208-230	300	N
972090 48" Std. Capacity, w/ Wire Guard	23,000	1.0	60	3	208- 230/460	300	Y
972180 48" High Capacity, w/ Wire Guard	32,000	1.5	60	3	208- 230/460	300	Y
972380 48" High Capacity, w/ Wire Guard	27,000	1.5	50	3	190/380	300	Y
972280 72" Std. Capacity, w/ Wire Guard	45,500	1.5	60	1	115/- 208-230	500	N
972120 72" Std. Capacity, w/ Wire Guard	45,500	1.5	60	3	208- 230/460	400	Y
972160* 72" High Capacity, w/ Wire Guard	59,500	3	60	3	208- 230/460	550	Y
972360** 72" High Capacity, w/ Wire Guard	57,500	2	50	3	190/380	550	Y

* FL Amps 15-14.4/7.2

** FL Amps 14/7

Protected under
U.S. Patent No. 9,163,639 B2
& U.S. Patent No. 9,829,003 B2



Note: Protective cage removed to show product.



Performance You Can Count On

www.val-co.com

North America:

Phone: 800-99VALCO (800-998-2526)

Fax: (+1) 419-678-2200

E-mail: sales@val-co.com

International:

Phone: (+1) 419-678-8731

Fax: (+1) 419-678-2200

E-mail: intl.sales@val-co.com